

## SE Series

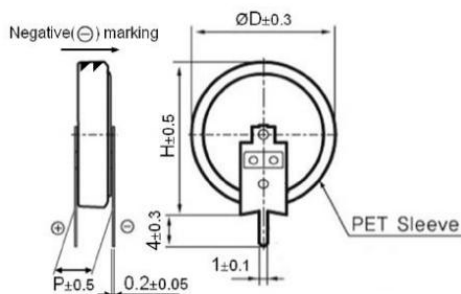
- High temperature tolerance(-40~85°C) and highly reliable
- Suit for Memory back-up for Video, Audio, Cameras, Camcorder, Telephones, Printer, Car stereo, Computer, Notebook PC, Rice cooker, PLC, Set top box, Washing machine, DVD-RW, Home network etc.

### ◆ SPECIFICATIONS

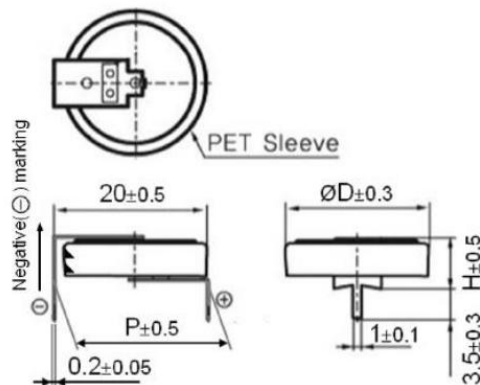
Items	Characteristics
Rated working voltage	5.5VDC
Operating temperature	-40 to +85°C
Maximum surge voltage	6.3VDC
Nominal Cap. range	0.1F to 1.5F
Capacitance tolerance	-20% to +20%(at 25°C)
Low temperature(-40°C) characteristics	Capacitance change : $\leq 30\%$ of the initial value at +25°C Internal resistance : Less than three times of the initial value at +25°C
Endurance	After 1,000hours application of rated DC working voltage at +85°C, the capacitor shall meet the following limits. <ul style="list-style-type: none"> <li>• Capacitance change : <math>\pm 30\%</math> of the initial value</li> <li>• Internal resistance : Less than four times of the initial value</li> </ul>
Cycle life characteristics	Capacitors charge-discharge between rated voltage and half rated voltage under constant current at +25°C(>500,000 cycles)

### ◆ DIMENSIONS [mm]

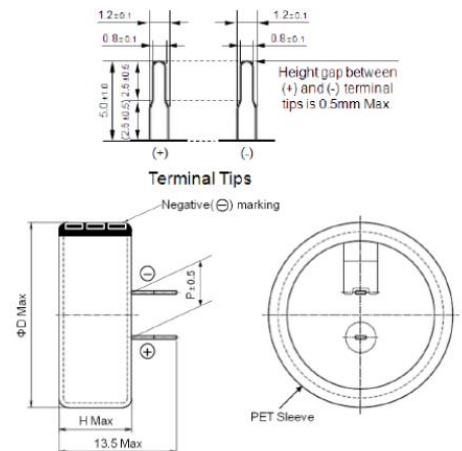
#### V-TYPE



#### H-TYPE



#### C-TYPE



**STANDARD PRODUCTS**

Part Number	Operating Voltage (V)	Capacitance (F)	ESR ( $\Omega$ , @1kHz)	V type(mm)			H type(mm)			C type(mm)		
				$\Phi$ D	H	P	$\Phi$ D	H	P	$\Phi$ D	H	P
SE-5R5-0R1-V/H/C	5.5	0.10	$\leq 50$	11.5	12.3	4.7	11.5	6.4	10.5	13.0	6.5	5.0
SE-5R5-0R2-V/H/C	5.5	0.22	$\leq 50$	11.5	12.3	4.7	11.5	6.4	10.5	13.0	6.5	5.0
SE-5R5-0R3-V/H/C	5.5	0.33	$\leq 50$	11.5	12.3	4.7	11.5	6.4	10.5	13.0	6.5	5.0
SE-5R5-0R4-V/H/C	5.5	0.47	$\leq 50$	11.5	12.3	4.7	11.5	6.4	10.5	13.0	6.5	5.0
SE-5R5-0R6-V/H/C	5.5	0.68	$\leq 50$	18.7	20.2	5	18.7	6.0	20	20.5	7.5	5.0
SE-5R5-1R0-V/H/C	5.5	1.0	$\leq 50$	18.7	20.2	5	18.7	6.0	20	20.5	7.5	5.0
SE-5R5-1R5-V/H/C	5.5	1.5	$\leq 50$	18.7	20.2	5	18.7	6.0	20	20.5	7.5	5.0

●Please check with us about the specified actual demanding with much more customized models.