

ULG Series (85°C 10000H)

- Compliant to the RoHS directive
- High ripple current & Extremely Long life design
- Used in switching power, frequency converter circuit, filtering circuit, air conditioning, for welder and PCB mounting...



◆ SPECIFICATIONS

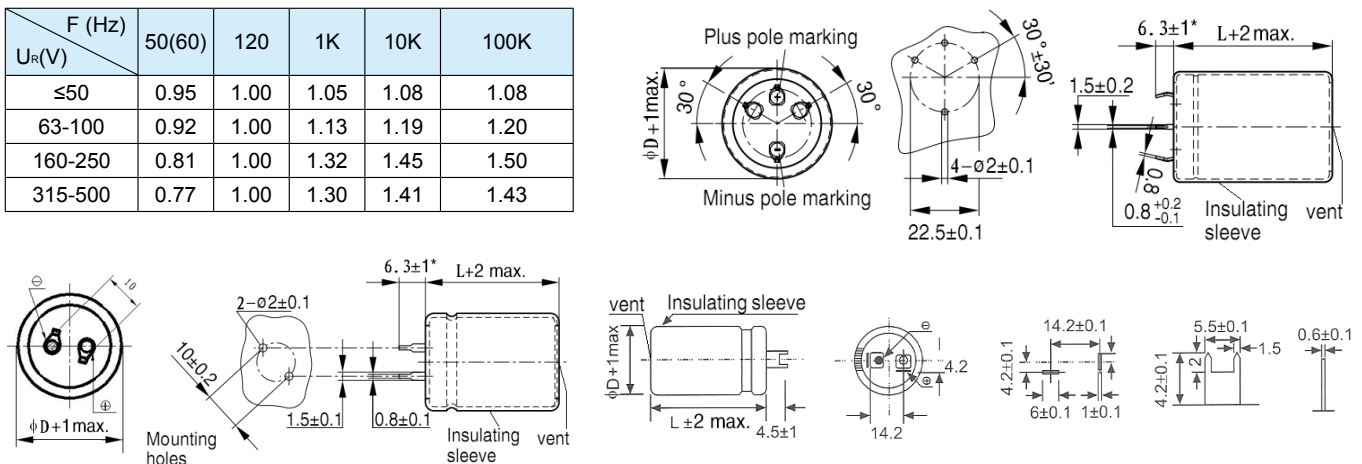
Item	Performance Characteristics							
Operating range	-40°C~+85°C				-25°C~+85°C			
Rated voltage range	10V~100V				160V~450V			
Capacitance tolerance	±20% (20°C, 120Hz)							
Leakage current	I≤0.01CV(µA) or 1.5mA (Whichever is smaller) (20°C, after 5 minutes) C=Nominal capacitance(µF), V=Rated voltage(V)							
Dissipation factor (20°C, 120Hz)	UR(V)	10	16	25	35	50	63 ~ 400	450
	tanδ	0.50	0.400	0.30	0.25	0.20	0.15	0.20
Stability at Low Temperature (Impedance ratio at 120Hz)	UR(V)	10 ~ 16	25	35	50~63	80~100	160~250	315~450
	Z(-25°C)/Z(+20°C)	4	3	3	2		4	8
	Z(-40°C)/Z(+20°C)	15	10	8	6	5	-	
Load Life	After applying rated voltage with specified ripple current for 10000 hours at 85°C(the peak voltage shall not exceed the rated voltage), and then restored for 24 hours, capacitor shall meet the following requirement:							
	Capacitance change	Within ±20% of the initial value.						
	Dissipation factor	Not more than 200% of the initial specified value.						
	Leakage current	Not more than the initial specified value.						
Shelf Life	After storing for 1000 hours at 85°C, UR to be applied for 30 minutes and then restored for 24 hours, capacitor shall meet the following requirement:							
	Capacitance change	Within ±15% of the initial value.						
	Dissipation factor	Not more than 150% of the initial specified value.						
	Leakage current	Not more than the initial specified value.						
Standard	JIS C 5101-4							

◆ Coefficient of rated ripple current

F (Hz)	50(60)	120	1K	10K	100K
UR(V) ≤50	0.95	1.00	1.05	1.08	1.08
63-100	0.92	1.00	1.13	1.19	1.20
160-250	0.81	1.00	1.32	1.45	1.50
315-500	0.77	1.00	1.30	1.41	1.43

◆ Drawing

Unit:mm



◆ Shorter terminal is: $4.0 \pm 0.5 \text{ mm}$

◆ STANDARD RATING

Rated Voltage code (V.DC)	Capacitance (μF)	Case size ΦD×L(mm)	tanδ 20°C, 120Hz	Ripple current 85°C, 120Hz (Arms)	Max ESR 20°C, 120Hz(mΩ)	ESR(typ.) 20°C, 120Hz(mΩ)	Part number	
10 1A (16)	12000	22×30	0.50	3.94	50	40	ULG1A123KP030M	
	15000	25×25	0.50	3.95	40	30	ULG1A153KQ025M	
	18000	25×30	0.50	4.73	32	26	ULG1A183KQ030M	
	22000	25×35	0.50	5.27	25	20	ULG1A223KQ035M	
	33000	30×30	0.50	5.75	18	13	ULG1A333KR030M	
	39000	30×35	0.50	6.35	15	11	ULG1A393KR035M	
	47000	30×40	0.50	7.29	12	9.1	ULG1A473KR040M	
	68000	35×40	0.50	9.20	8	6.3	ULG1A683KS040M	
16 1C (25)	8200	22×25	0.40	3.00	66	51	ULG1C822KP025M	
	10000	22×30	0.40	3.31	55	42	ULG1C103KP030M	
		25×25	0.40	3.31	55	42	ULG1C103KQ025M	
	12000	22×35	0.40	3.57	48	35	ULG1C123KP035M	
	15000	22×40	0.40	4.38	38	30	ULG1C153KP040M	
		25×30	0.40	4.38	38	30	ULG1C153KQ030M	
		30×25	0.40	4.38	38	30	ULG1C153KR025M	
	18000	22×45	0.40	4.78	32	23	ULG1C183KP045M	
		25×35	0.40	4.78	32	23	ULG1C183KQ035M	
	22000	22×50	0.40	5.30	28	20	ULG1C223KP050M	
		25×40	0.40	5.30	28	20	ULG1C223KQ040M	
		30×30	0.40	5.30	28	20	ULG1C223KR030M	
		35×25	0.40	5.30	28	20	ULG1C223KS025M	
	25 1E (35)	5600	22×25	0.30	2.68	85	66	ULG1E562KP025M
		6800	22×30	0.30	3.06	70	55	ULG1E682KP030M
			25×25	0.30	3.06	70	55	ULG1E682KQ025M
8200		22×35	0.30	3.35	58	48	ULG1E822KP035M	
10000		22×40	0.30	3.84	50	40	ULG1E103KP040M	
		25×30	0.30	3.84	50	40	ULG1E103KQ030M	
		30×25	0.30	3.84	50	40	ULG1E103KR025M	
12000		22×45	0.30	4.62	40	31	ULG1E123KP045M	
		25×35	0.30	4.62	40	31	ULG1E123KQ035M	
		30×30	0.30	4.62	40	31	ULG1E123KR030M	
15000		25×40	0.30	4.78	35	25	ULG1E153KQ040M	
		30×30	0.30	4.78	35	25	ULG1E153KR030M	
		35×25	0.30	4.78	35	25	ULG1E153KS025M	
18000		25×50	0.30	5.53	30	21	ULG1E183KQ050M	
		30×35	0.30	5.53	30	21	ULG1E183KR035M	
22000		35×30	0.30	5.53	30	21	ULG1E183KS030M	
		30×40	0.30	6.14	25	18	ULG1E223KR040M	
		35×35	0.30	6.14	25	18	ULG1E223KS035M	
35 1V (50)	3300	22×25	0.25	2.33	100	82	ULG1V332KP025M	
	3900	22×30	0.25	2.65	90	70	ULG1V392KP030M	
	4700	25×25	0.25	2.92	75	60	ULG1V472KQ025M	
	5600	22×35	0.25	3.29	75	60	ULG1V562KP035M	
		25×30	0.25	3.29	75	60	ULG1V562KQ030M	
	6800	22×40	0.25	3.55	60	50	ULG1V682KP040M	
		25×35	0.25	3.55	60	50	ULG1V682KQ035M	
		30×25	0.25	3.55	60	50	ULG1V682KR025M	
	8200	22×50	0.25	4.15	58	47	ULG1V822KP050M	
		25×40	0.25	4.15	58	47	ULG1V822KQ040M	
		30×30	0.25	4.15	58	47	ULG1V822KR030M	
		35×25	0.25	4.15	58	47	ULG1V822KS025M	
	10000	25×45	0.25	4.26	50	40	ULG1V103KQ045M	
		30×35	0.25	4.26	50	40	ULG1V103KR035M	
	12000	25×50	0.25	5.28	40	31	ULG1V123KQ050M	
		30×40	0.25	5.28	40	31	ULG1V123KR040M	
35×30		0.25	5.28	40	31	ULG1V123KS030M		

◆ STANDARD RATING

Rated Voltage code (V.DC)	Capacitance (μF)	Case size ΦD×L(mm)	tanδ 20°C, 120Hz	Ripple current 85°C, 120Hz (Arms)	Max ESR 20°C, 120Hz(mΩ)	ESR(typ.) 20°C, 120Hz(mΩ)	Part number
35 1V (50)	15000	30×45	0.25	5.99	35	25	ULG1V153KR045M
		35×35	0.25	5.99	35	25	ULG1V153KS035M
	18000	30×50	0.25	6.62	30	22	ULG1V183KR050M
		35×40	0.25	6.62	30	22	ULG1V183KS040M
	22000	35×45	0.25	7.35	25	18	ULG1V223KS045M
50 1H (63)	2200	22×25	0.20	2.28	120	100	ULG1H222KP025M
	2700	22×30	0.20	2.33	105	80	ULG1H272KP030M
		25×25	0.20	2.33	105	80	ULG1H272KQ025M
	3300	22×35	0.20	2.84	105	81	ULG1H332KP035M
		25×30	0.20	2.84	105	81	ULG1H332KQ030M
	3900	25×35	0.20	3.20	90	70	ULG1H392KQ035M
		30×25	0.20	3.20	90	70	ULG1H392KR025M
	4700	22×40	0.20	3.62	75	60	ULG1H472KP040M
		25×35	0.20	3.62	75	60	ULG1H472KQ035M
	5600	25×40	0.20	4.09	75	60	ULG1H562KQ040M
		30×30	0.20	4.09	75	60	ULG1H562KR030M
	6800	25×45	0.20	4.60	60	50	ULG1H682KQ045M
		30×35	0.20	4.60	60	50	ULG1H682KR035M
	8200	25×50	0.20	5.27	60	50	ULG1H822KQ050M
		30×40	0.20	5.27	60	50	ULG1H822KR040M
	10000	30×45	0.20	5.94	50	40	ULG1H103KR045M
		35×35	0.20	5.94	50	40	ULG1H103KS035M
	12000	30×50	0.20	6.70	40	31	ULG1H123KR050M
		35×40	0.20	6.70	40	31	ULG1H123KS040M
	15000	35×50	0.20	7.71	40	30	ULG1H153KS050M
22000	35×60	0.20	8.61	40	30	ULG1H223KS060M	
63 1J (80)	1500	22×25	0.15	2.06	140	110	ULG1J152KP025M
	1800	22×30	0.15	2.35	115	90	ULG1J182KP030M
	2200	22×30	0.15	2.76	100	75	ULG1J222KP030M
		25×25	0.15	2.76	100	75	ULG1J222KQ025M
	2700	22×35	0.15	2.87	80	60	ULG1J272KP035M
		25×30	0.15	2.87	80	60	ULG1J272KQ030M
	3300	22×40	0.15	3.32	90	68	ULG1J332KP040M
		25×35	0.15	3.32	90	68	ULG1J332KQ035M
		30×25	0.15	3.32	90	68	ULG1J332KR025M
	3900	22×45	0.15	3.59	70	60	ULG1J392KP045M
		25×40	0.15	3.59	70	60	ULG1J392KQ040M
		30×30	0.15	3.59	70	60	ULG1J392KR030M
	4700	22×50	0.15	4.05	65	52	ULG1J472KP050M
		25×45	0.15	4.05	65	52	ULG1J472KQ045M
	5600	25×45	0.15	4.50	50	40	ULG1J562KQ045M
		30×35	0.15	4.50	50	40	ULG1J562KR035M
		35×30	0.15	4.50	50	40	ULG1J562KS030M
	6800	30×40	0.15	5.11	45	35	ULG1J682KR040M
		35×35	0.15	5.11	45	35	ULG1J682KS035M
	8200	30×50	0.15	5.77	45	35	ULG1J822KR050M
35×40		0.15	5.77	45	35	ULG1J822KS040M	
10000	35×45	0.15	6.56	35	30	ULG1J103KS045M	
12000	35×50	0.15	7.40	30	25	ULG1J123KS050M	
80 1K (100)	1000	22×25	0.15	1.77	200	160	ULG1K102KP025M
	1200	22×30	0.15	2.03	170	135	ULG1K122KP030M
		22×40	0.15	2.03	170	135	ULG1K122KP040M
	1500	22×35	0.15	2.25	135	110	ULG1K152KP035M
		25×25	0.15	2.25	135	110	ULG1K152KQ025M
	1800	22×35	0.15	2.69	115	90	ULG1K182KP035M
		25×30	0.15	2.69	115	90	ULG1K182KQ030M

◆ STANDARD RATING

Rated Voltage code (V.DC)	Capacitance (μF)	Case size ΦD×L(mm)	tanδ 20°C, 120Hz	Ripple current 85°C, 120Hz (Arms)	Max ESR 20°C, 120Hz(mΩ)	ESR(typ.) 20°C, 120Hz(mΩ)	Part number	
80 1K (100)	2200	22*40	0.15	2.97	95	75	ULG1K222KP040M	
		25*35	0.15	2.97	95	75	ULG1K222KQ035M	
		30*25	0.15	2.97	95	75	ULG1K222KR025M	
	2700	22*50	0.15	3.36	75	60	ULG1K272KP050M	
		25*40	0.15	3.36	75	60	ULG1K272KQ040M	
		30*30	0.15	3.36	75	60	ULG1K272KR030M	
	3300	25*45	0.15	3.84	65	50	ULG1K332KQ045M	
		30*35	0.15	3.84	65	50	ULG1K332KR035M	
	3900	30*40	0.15	4.30	55	45	ULG1K392KR040M	
		35*30	0.15	4.30	55	45	ULG1K392KS030M	
	4700	35*35	0.15	4.89	45	40	ULG1K472KS035M	
		30*50	0.15	5.45	50	40	ULG1K562KR050M	
	5600	35*40	0.15	5.45	50	40	ULG1K562KS040M	
		680	22*25	0.15	1.85	300	240	ULG2A681KP025M
100 2A (160)	820	22*30	0.15	2.23	250	200	ULG2A821KP030M	
	1000	22*30	0.15	2.37	210	165	ULG2A102KP030M	
		22*35	0.15	2.37	210	165	ULG2A102KP035M	
		25*25	0.15	2.37	210	165	ULG2A102KQ025M	
	1200	22*35	0.15	2.51	180	145	ULG2A122KP035M	
		25*30	0.15	2.51	180	145	ULG2A122KQ030M	
	1500	22*40	0.15	2.94	140	115	ULG2A152KP040M	
		25*35	0.15	2.94	140	115	ULG2A152KQ035M	
		30*25	0.15	2.94	140	115	ULG2A152KR025M	
	1800	22*50	0.15	3.29	120	95	ULG2A182KP050M	
		25*40	0.15	3.29	120	95	ULG2A182KQ040M	
		30*30	0.15	3.29	120	95	ULG2A182KR030M	
	2200	25*45	0.15	3.75	100	80	ULG2A222KQ045M	
		30*35	0.15	3.75	100	80	ULG2A222KR035M	
		35*30	0.15	3.75	100	80	ULG2A222KS030M	
	2700	25*50	0.15	4.44	80	65	ULG2A272KQ050M	
		30*40	0.15	4.44	80	65	ULG2A272KR040M	
	3300	30*45	0.15	4.86	70	55	ULG2A332KR045M	
		35*35	0.15	4.86	70	55	ULG2A332KS035M	
	3900	30*50	0.15	5.43	60	45	ULG2A392KR050M	
		35*40	0.15	5.43	60	45	ULG2A392KS040M	
	4700	35*50	0.15	6.14	50	40	ULG2A472KS050M	
	160 2C (200)	270	22*25	0.15	1.61	500	400	ULG2C271KP025M
		330	22*30	0.15	1.84	420	350	ULG2C331KP030M
		390	22*35	0.15	1.97	350	280	ULG2C391KP035M
			25*25	0.15	1.97	350	280	ULG2C391KQ025M
		470	25*30	0.15	2.20	300	230	ULG2C471KQ030M
		560	22*35	0.15	2.74	250	195	ULG2C561KP035M
25*30			0.15	2.74	250	195	ULG2C561KQ030M	
30*25			0.15	2.74	250	195	ULG2C561KR025M	
680		22*40	0.15	3.01	200	160	ULG2C681KP040M	
		25*35	0.15	3.01	200	160	ULG2C681KQ035M	
820		22*50	0.15	3.33	170	135	ULG2C821KP050M	
		25*45	0.15	3.33	170	135	ULG2C821KQ045M	
		30*30	0.15	3.33	170	135	ULG2C821KR030M	
1000		25*45	0.15	3.68	140	110	ULG2C102KQ045M	
		30*40	0.15	3.68	140	110	ULG2C102KR040M	
		35*35	0.15	3.68	140	110	ULG2C102KS035M	
1200		30*40	0.15	4.13	120	92	ULG2C122KR040M	
		35*35	0.15	4.13	120	92	ULG2C122KS035M	
1500		30*45	0.15	4.73	110	90	ULG2C152KR045M	
		35*40	0.15	4.73	110	90	ULG2C152KS040M	
1800		35*45	0.15	5.20	90	75	ULG2C182KS045M	
2200		35*50	0.15	5.96	80	60	ULG2C222KS050M	

◆ STANDARD RATING

Rated Voltage code (V.DC)	Capacitance (μF)	Case size ΦD×L(mm)	tanδ 20°C, 120Hz	Ripple current 85°C, 120Hz (Arms)	Max ESR 20°C, 120Hz(mΩ)	ESR(typ.) 20°C, 120Hz(mΩ)	Part number
200 2D (250)	220	22*25	0.15	1.45	600	500	ULG2D221KP025M
	270	22*30	0.15	1.68	500	400	ULG2D271KP030M
	330	22*30	0.15	1.82	410	330	ULG2D331KP030M
		25*25	0.15	1.82	410	330	ULG2D331KQ025M
	390	22*35	0.15	2.09	350	280	ULG2D391KP035M
		25*30	0.15	2.09	350	280	ULG2D391KQ030M
	470	22*40	0.15	2.37	300	230	ULG2D471KP040M
		30*25	0.15	2.37	300	230	ULG2D471KR025M
	560	22*45	0.15	2.90	250	200	ULG2D561KP045M
		25*35	0.15	2.90	250	200	ULG2D561KQ035M
		30*30	0.15	2.90	250	200	ULG2D561KR030M
		35*25	0.15	2.90	250	200	ULG2D561KS025M
	680	25*40	0.15	3.20	200	160	ULG2D681KQ040M
		30*35	0.15	3.20	200	160	ULG2D681KR035M
	820	25*50	0.15	3.50	170	135	ULG2D821KQ050M
		30*40	0.15	3.50	170	135	ULG2D821KR040M
		35*30	0.15	3.50	170	135	ULG2D821KS030M
	1000	30*45	0.15	4.00	150	110	ULG2D102KR045M
35*35		0.15	4.00	160	130	ULG2D102KS035M	
1200	30*50	0.15	4.37	120	90	ULG2D122KR050M	
	35*40	0.15	4.37	140	110	ULG2D122KS040M	
1500	35*50	0.15	4.96	110	90	ULG2D152KS050M	
250 2E (300)	180	22*25	0.15	1.34	1110	890	ULG2E181KP025M
	220	22*30	0.15	1.56	910	730	ULG2E221KP030M
		25*25	0.15	1.56	910	730	ULG2E221KQ025M
	270	22*35	0.15	1.79	750	600	ULG2E271KP035M
	330	22*40	0.15	2.09	610	490	ULG2E331KP040M
		25*35	0.15	2.09	610	490	ULG2E331KQ035M
		30*25	0.15	2.09	610	490	ULG2E331KR025M
	390	22*45	0.15	2.28	520	410	ULG2E391KP045M
		25*35	0.15	2.28	520	410	ULG2E391KQ035M
	470	25*40	0.15	2.57	430	340	ULG2E471KQ040M
		30*30	0.15	2.57	430	340	ULG2E471KR030M
		35*25	0.15	2.57	430	340	ULG2E471KS025M
	560	25*45	0.15	2.96	360	290	ULG2E561KQ045M
		30*35	0.15	2.96	360	290	ULG2E561KR035M
	680	30*40	0.15	3.20	300	240	ULG2E681KR040M
		35*30	0.15	3.20	300	240	ULG2E681KS030M
	820	30*45	0.15	3.65	250	200	ULG2E821KR045M
		35*35	0.15	3.65	250	200	ULG2E821KS035M
1000	35*40	0.15	4.85	200	165	ULG2E102KS040M	
1200	35*45	0.15	5.00	170	140	ULG2E122KS045M	
315 2F (365)	100	22*25	0.15	1.01	2000	1600	ULG2F101KP025M
	120	22*25	0.15	1.14	2000	1600	ULG2F121KP025M
	150	22*30	0.15	1.26	1330	1100	ULG2F151KP030M
		25*25	0.15	1.26	1330	1100	ULG2F151KQ025M
	180	22*35	0.15	1.64	1110	890	ULG2F181KP035M
		25*30	0.15	1.64	1110	890	ULG2F181KQ030M
	220	22*40	0.15	1.77	910	730	ULG2F221KP040M
		25*35	0.15	1.77	910	730	ULG2F221KQ035M
		30*25	0.15	1.77	910	730	ULG2F221KR025M
	270	22*45	0.15	2.03	740	600	ULG2F271KP045M
		25*40	0.15	2.03	740	600	ULG2F271KQ040M
		30*30	0.15	2.03	740	600	ULG2F271KR030M
35*25		0.15	2.03	740	600	ULG2F271KS025M	
330	25*45	0.15	2.36	610	490	ULG2F331KQ045M	
	30*35	0.15	2.36	610	490	ULG2F331KR035M	

◆ STANDARD RATING

Rated Voltage code (V.DC)	Capacitance (μF)	Case size ΦD×L(mm)	tanδ 20°C, 120Hz	Ripple current 85°C, 120Hz (Arms)	Max ESR 20°C, 120Hz(mΩ)	ESR(typ.) 20°C, 120Hz(mΩ)	Part number
315 2F (365)	390	30*40	0.15	2.57	520	410	ULG2F391KR040M
		35*30	0.15	2.57	520	410	ULG2F391KS030M
	470	30*45	0.15	2.94	430	345	ULG2F471KR045M
		35*35	0.15	2.94	430	345	ULG2F471KS035M
	560	30*50	0.15	3.21	360	290	ULG2F561KR050M
		35*40	0.15	3.21	360	290	ULG2F561KS040M
	680	35*45	0.15	3.65	300	240	ULG2F681KS045M
350 2V (400)	82	22*25	0.15	0.89	2450	1950	ULG2V820KP025M
	100	22*25	0.15	1.13	2000	1600	ULG2V101KP025M
	120	22*30	0.15	1.26	1670	1330	ULG2V121KP030M
		25*25	0.15	1.26	1670	1330	ULG2V121KQ025M
	150	22*35	0.15	1.46	1330	1070	ULG2V151KP035M
		25*30	0.15	1.46	1330	1070	ULG2V151KQ030M
	180	22*40	0.15	1.61	1110	890	ULG2V181KP040M
		30*25	0.15	1.61	1110	890	ULG2V181KR025M
	220	22*45	0.15	1.85	920	730	ULG2V221KP045M
		25*35	0.15	1.85	920	730	ULG2V221KQ035M
		30*30	0.15	1.85	920	730	ULG2V221KR030M
	270	25*45	0.15	2.15	745	595	ULG2V271KQ045M
		30*35	0.15	2.15	745	595	ULG2V271KR035M
		35*30	0.15	2.15	745	595	ULG2V271KS030M
	330	25*50	0.15	2.45	610	485	ULG2V331KQ050M
		30*40	0.15	2.45	610	485	ULG2V331KR040M
		35*30	0.15	2.45	610	485	ULG2V331KS030M
	390	30*40	0.15	2.75	515	410	ULG2V391KR040M
		35*35	0.15	2.75	515	410	ULG2V391KS035M
	470	30*45	0.15	3.05	430	340	ULG2V471KR045M
35*40		0.15	3.05	430	340	ULG2V471KS040M	
560	35*45	0.15	3.29	360	290	ULG2V561KS045M	
680	35*50	0.15	3.76	360	290	ULG2V681KS050M	
820	35*60	0.15	4.18	250	200	ULG2V821KS060M	
400 2G (450)	82	22*25	0.15	1.01	2430	1945	ULG2G820KP025M
	100	22*30	0.15	1.19	1995	1595	ULG2G101KP030M
		25*25	0.15	1.19	1995	1595	ULG2G101KQ025M
	120	22*35	0.15	1.37	1660	1330	ULG2G121KP035M
	150	25*30	0.15	1.55	1330	1065	ULG2G151KQ030M
		30*25	0.15	1.55	1330	1065	ULG2G151KR025M
	180	25*35	0.15	1.85	1110	890	ULG2G181KQ035M
		30*30	0.15	1.85	1110	890	ULG2G181KR030M
		35*25	0.15	1.85	1110	890	ULG2G181KS025M
	220	22*50	0.15	1.99	910	730	ULG2G221KP050M
		25*40	0.15	1.99	910	730	ULG2G221KQ040M
		30*35	0.15	1.99	910	730	ULG2G221KR035M
	270	25*45	0.15	2.22	740	600	ULG2G271KQ045M
		30*40	0.15	2.22	740	600	ULG2G271KR040M
		35*35	0.15	2.22	740	600	ULG2G271KS035M
	330	30*40	0.15	2.50	610	490	ULG2G331KR040M
		30*45	0.15	2.50	610	490	ULG2G331KR045M
		35*30	0.15	2.50	610	490	ULG2G331KS030M
	390	30*50	0.15	2.81	515	415	ULG2G391KR050M
		35*35	0.15	2.81	515	415	ULG2G391KS035M
470	35*40	0.15	3.09	425	345	ULG2G471KS040M	
	35*45	0.15	3.09	425	345	ULG2G471KS045M	
	35*50	0.15	3.09	425	345	ULG2G471KS050M	
560	35*45	0.15	3.41	360	290	ULG2G561KS045M	
	35*50	0.15	3.41	360	290	ULG2G561KS050M	
680	35*50	0.15	3.7	350	270	ULG2G681KS050M	

◆ STANDARD RATING

Rated Voltage code (V.DC)	Capacitance (μF)	Case size ΦD×L(mm)	tanδ 20°C, 120Hz	Ripple current 85°C, 120Hz (Arms)	Max ESR 20°C, 120Hz(mΩ)	ESR(typ.) 20°C, 120Hz(mΩ)	Part number
400 2G (450)	820	35*60	0.15	4.13	342	260	ULG2G821KS060M
	1000	35*65	0.15	4.46	300	250	ULG2G102KS065M
	1200	35*80	0.15	4.96	300	250	ULG2G122KS080M
450 2W (500)	68	22*30	0.20	0.84	2930	2345	ULG2W680KP030M
	82	25*35	0.20	1.05	2430	1945	ULG2W820KQ035M
		100	22*35	0.20	1.15	1995	1600
	25*30		0.20	1.15	1995	1600	ULG2W101KQ030M
	120	22*40	0.20	1.37	1660	1330	ULG2W121KP040M
		25*35	0.20	1.37	1660	1330	ULG2W121KQ035M
	150	25*40	0.20	1.55	1330	1070	ULG2W151KQ040M
		30*30	0.20	1.55	1330	1070	ULG2W151KR030M
		35*25	0.20	1.55	1330	1070	ULG2W151KS025M
	180	25*45	0.20	1.74	1110	895	ULG2W181KQ045M
		30*35	0.20	1.74	1110	895	ULG2W181KR035M
		35*25	0.20	1.74	1110	895	ULG2W181KS025M
	220	25*50	0.20	1.99	915	730	ULG2W221KQ050M
		30*40	0.20	1.99	915	730	ULG2W221KR040M
		35*30	0.20	1.99	915	730	ULG2W221KS030M
	270	30*45	0.20	2.27	740	590	ULG2W271KR045M
		35*35	0.20	2.27	740	590	ULG2W271KS035M
	330	30*50	0.20	2.57	610	490	ULG2W331KR050M
	390	35*45	0.20	2.85	520	415	ULG2W391KS045M
	470	35*50	0.20	3.22	430	342	ULG2W471KS050M
	560	35*60	0.20	3.44	360	320	ULG2W561KS060M
680	35*65	0.20	3.76	320	260	ULG2W681KS065M	

- The endurance of capacitors is reduced with internal heating produced by ripple current at the rate of halving the lifetime with every 10°C rise.
- When long life performance is required in actual use, the rms ripple current has to be reduced.